

# Residential Design Services

For commercial projects, please reach out directly.



[Residential remodel, Texas](#)

## About

- Certified Interior designer CID#7476 located in Orange County, California
- Commercial and residential project expertise
- Experienced in remodeling and new builds for over 20 years

## Distinctive skills

- Substantial background in both architecture and interior design, with mastery in space planning for new constructions or remodel
- Ability to provide detailed city permit drawings and highly detailed construction drawings
- Extensive hands-on experience on construction sites, capable of measuring and producing accurate as-built plans
- Skillful in exterior and landscape design, with advanced software knowledge

## Benefits of hiring a designer

- Avoid costly construction mistakes
- Enhance the value of your property
- Access designer discounts on products and materials without markups



## Introduction

Explore more by [clicking here](#).

# Interior Design Services



[Kitchen remodel, Utah](#)

## 1. Construction Drawings & Design

- Main design direction
- Space planning/furniture layouts
- Ceiling/lighting plans
- Interior Wall Elevations

## 2. Sourcing Materials and Fixtures

- Sourcing items that are installed and attached to the building
- Providing material samples
- Finalizing style and color palette

## 3. Sourcing Furniture and Decor

- Sourcing items that are not attached to the building
- Finalizing style and color palette
- Providing a presentation package

## 4. 3D Renderings

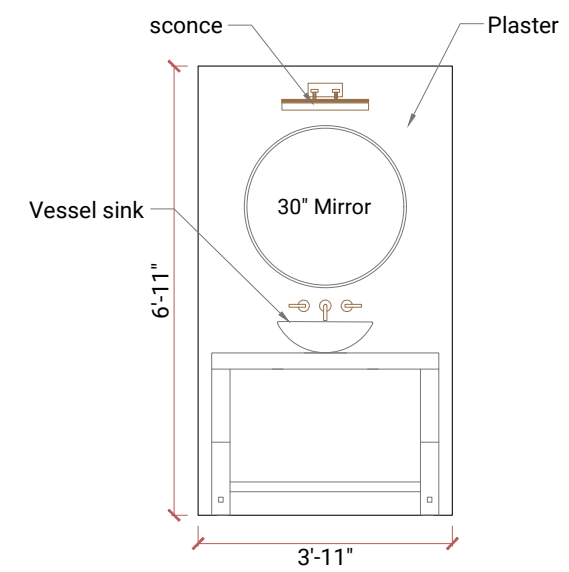
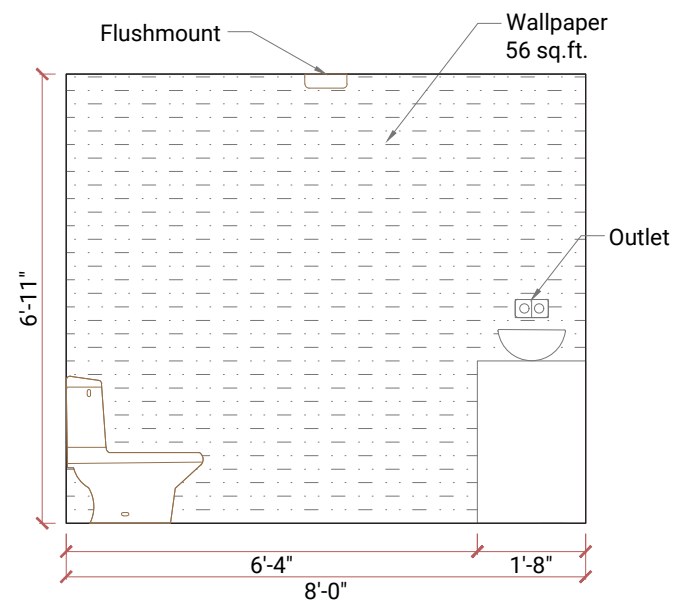
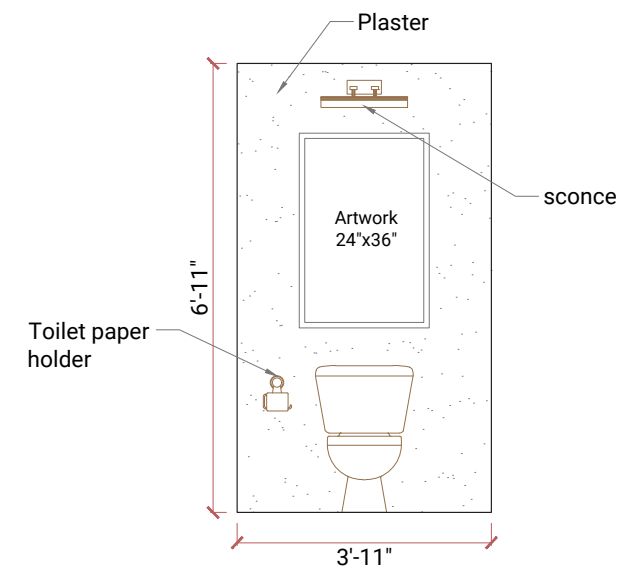
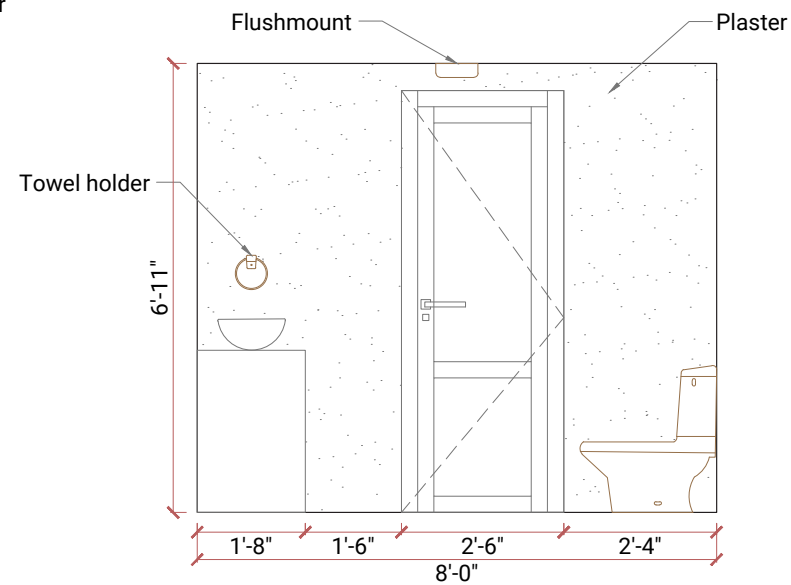
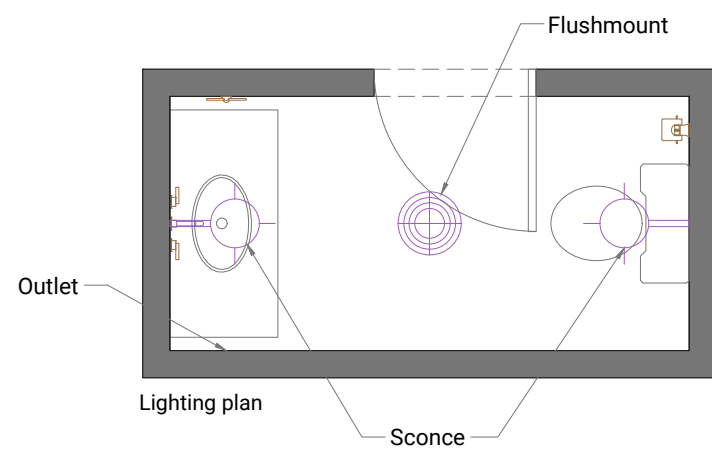
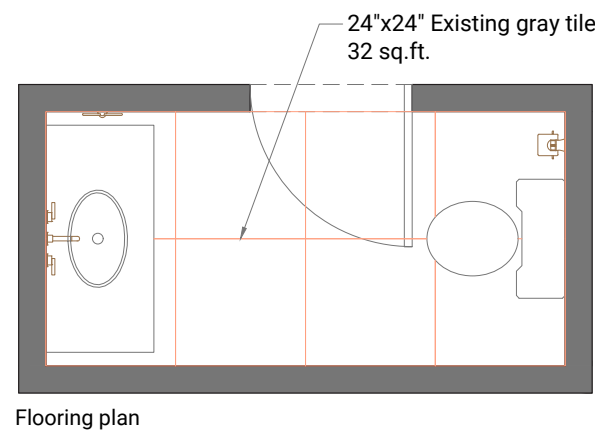
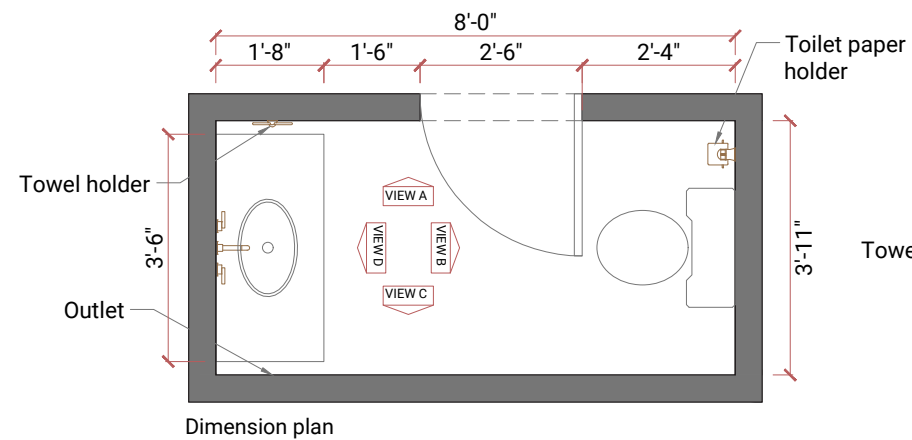
- Photorealistic 3D images

## 5. Ordering Products

- Creating a material and product schedules in Excel
- Calculating quantities and square footage
- Managing orders and returns through trade accounts, ensuring clients benefit from discounts (5%-30%, depending on the brand).

# 1. Construction Drawings

Construction drawings, often called 2D AutoCAD designs, are highly detailed to remove any uncertainty for the construction team. These drawings are essential not only for designing entire rooms but also for simply furnishing them. Why is this necessary for furnishing? It's crucial because it establishes the layout of furniture, ensuring items fit properly before they're sourced. Moreover, elevations are created to make sure that wall decorations complement the space proportionally.



## 2.Sourcing Materials and Fixtures

This service includes sourcing fixtures and materials that are fixed and attached to the building, such as light fixtures, plumbing fixtures, bathroom accessories, handles, curtain rods, cabinet pulls, doors, baseboards, molding, shelves, tiles, slabs, grout, flooring, wallpaper, and paint. Selections are tailored to the Client's confirmed taste, budget, and color palette.



Faucet



Sconces



Wall tile



59" Tub



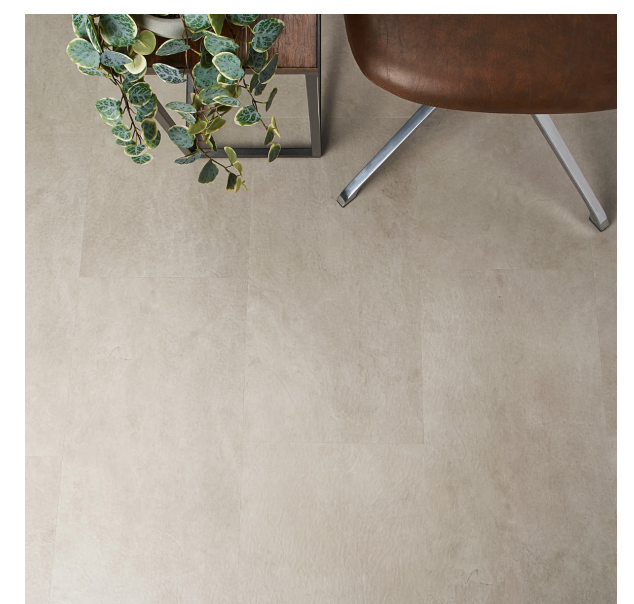
Accessories



Flushmount light



Vanity



Floor tile

# 3.Sourcing Furniture and Decor

Includes sourcing furniture, rugs, curtains, artwork, and décor (not fixed and attached to the building) from popular U.S. brands. Final selections will be presented in a PDF collage with direct links for easy access. All sourcing is done online, tailored to the Client's taste, budget, and color palette.



Makeup stool



Accessories



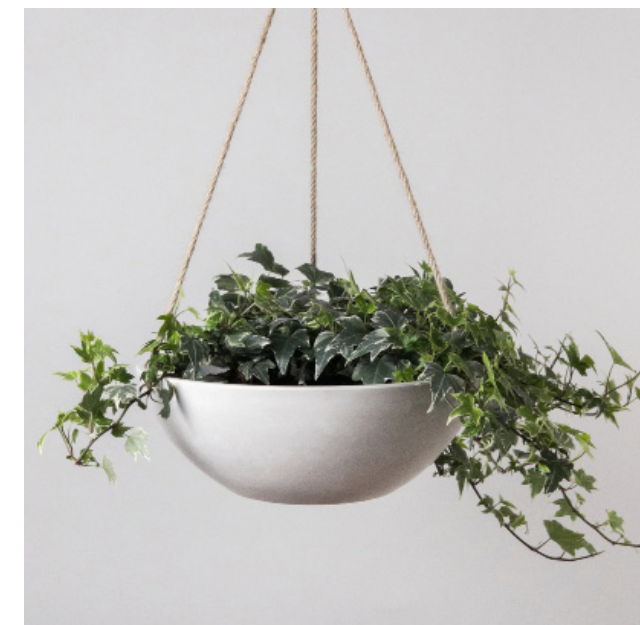
Freestanding storage cabinet



Artwork 24" x 24"



24" x 40" Mirror



Planter above the tub

## 4. 3D Renderings

3D renderings are realistic images that vividly depict the finalized design. This optional service is typically done near the end of the project, after all design choices are made. It allows clients to visualize the space beforehand, ensuring they are satisfied with how all elements fit together before committing to the design.



[Kitchen design, California](#)









[Exterior design, Illinois](#)



[Bathroom design, California](#)

# 5. Ordering Products

Includes creating a material and product schedules in Excel, calculating quantities and square footage, and managing orders and returns through trade accounts, ensuring clients benefit from discounts (5%-30%, depending on the brand).

IMAGE	LINK	BRAND	FINISH/COLOR	SIZE	STATUS	QUANTITY	PRICE	TOTAL
	<a href="#">ACCESSORIES</a>	POTTERY BARN	STONEWARE	NA	ORDERED	1	\$289	\$289
	<a href="#">SHOWER MAT</a>	THE COMPANY STORE	JUTE	17X24"	ORDERED	2	\$39	\$78
	<a href="#">TOWELS</a>	WEST ELM	IVORY	SET OF 2	NOT ORDERED	1	\$114	\$114
	<a href="#">MIRROR</a>	ARHAUS	ANTIQUÉ GLASS	35"X48"	ORDERED	1	\$1,599	\$1,599
	<a href="#">BASKETS</a>	ARHAUS	BROWN	14.75"X18.75"X11" H	ORDERED	2	\$99	\$198
	<a href="#">PLANTERS</a>	WAYFAIR	CERAMIC	5"&6"	ORDERED	1	\$29	\$29
								<b>\$2,307</b>



# Room-based Design Service Costs

To begin your design journey, services start at a minimum investment of \$1,000. Special discounts are available for clients seeking to design multiple rooms or their entire house. Additional charges may apply for clients without an AutoCAD file of their floor plan. Prices below are based on mid-sized to large homes needing complete room designs. For small apartments or if help is needed with just a few items, prices will be lower. Final prices will be provided after the initial meeting.

Master bathroom or kitchen		Full bathroom		Powder room, laundry or mudroom	
Construction drawings & design	\$1800	Construction drawings & design	\$1700	Construction drawings & design	\$1200
Sourcing materials & fixtures	\$1800	Sourcing materials & fixtures	\$1700	Sourcing materials & fixtures	\$1200
Sourcing furniture & decor	\$400	Sourcing furniture & decor	\$300	Sourcing furniture & decor	\$300
3D renderings	\$400	3D renderings	\$300	3D renderings	\$300
Ordering products (ask for a quote)		Ordering products (ask for a quote)		Ordering products (ask for a quote)	
<b>Total</b>	<b>\$4400</b>	<b>Total</b>	<b>\$4000</b>	<b>Total</b>	<b>\$3000</b>
Living room, family room or large bedrooms		Dining room, small bedroom or office		Other residential services	
Construction drawings & design	\$1200	Construction drawings & design	\$1100	Job site visit & measurement	\$300-\$1000
Sourcing materials & fixtures	\$700	Sourcing materials & fixtures	\$600	Drafting as-built plans on CAD	\$300-\$1000
Sourcing furniture & decor	\$1800	Sourcing furniture & decor	\$1600	Major space planning	\$800-\$3000
3D renderings	\$300	3D renderings	\$300	Landscape design	\$500-\$3000
Ordering products (ask for a quote)		Ordering products (ask for a quote)		Exterior design	\$500-\$3000
<b>Total</b>	<b>\$4000</b>	<b>Total</b>	<b>\$3600</b>	<b>Feel free to request a quote.</b>	

- **Tel:** + 1 (916) 346 - 1720
- **Email:** [info@parisadiba.net](mailto:info@parisadiba.net)
- **Website:** [www.parisadiba.net](http://www.parisadiba.net)



## Let's Craft Your Dream Space!

Please don't hesitate to reach out if you'd like to see samples of past design packages. Let's schedule the first meeting to discuss further. [Click here](#) to access the calendar and set up a video meeting. For the best experience, join from a laptop so it's easy to share screens and guide you through all the processes. In advance, thank you for your time and consideration.